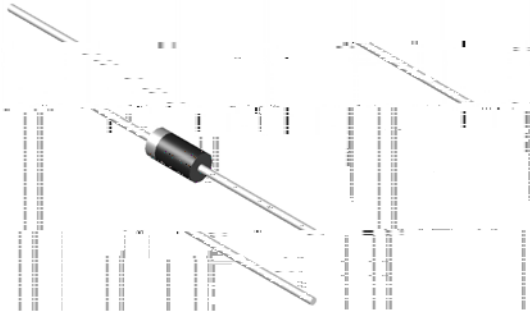




Fast Recovery Rectifier

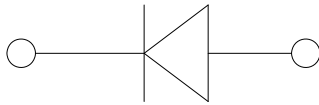


Features

- High efficiency
- High current capability
- High reliability
- High surge current capability
- Low power loss
- Glass passivated chip junction
- Solder dip 275 °C max per > ESD 22-B106

Mechanical Data

- Package: DO-204AL(DO-41)
- Molding compound meets UL - 4 V-0 flammability rating &
- RoHS-compliant
- Terminals: Tin plated leads & solderable per >-STD-002 and > ESD22-B102
- Polarity: Color band denotes cathode end



Maximum Ratings (Ta 125 °C)

PARAMETER	SYMBOL	UNIT	FR101G	FR102G	FR103G	FR104G	FR105G	FR106G	FR107G
Maximum RMS Voltage	V _{RMS}	V	35	70	140	280	420	560	700
Maximum DC blocking Voltage	V _{DC}	V	50	100	200	400	600	800	1000
Average Forward Current 460Hz sine wave & Resistance load & Ta 125 °C	I _F	A	1.0	1.0	1.0	1.0	1.0	1.0	1.0
Peak Forward Current Pulse width limited by SOA	I _{FM}	A	11.0	11.0	11.0	11.0	11.0	11.0	11.0
Reverse Recovery Time I _F = 1.0 A, I _R = 0.1 A, V _R = 100 V	t _{rr}	ns	75	75	75	75	75	75	75
Reverse Recovery Charge I _F = 1.0 A, V _R = 100 V	Q _{rr}	nC	5	5	5	5	5	5	5
Power Dissipation T _c = 25 °C	P _D	W	0.5	0.5	0.5	0.5	0.5	0.5	0.5
Power Dissipation T _c = 100 °C	P _D	W	0.2	0.2	0.2	0.2	0.2	0.2	0.2
Surge Power Dissipation T _c = 25 °C, 10ms	P _{SM}	W	1.5	1.5	1.5	1.5	1.5	1.5	1.5
Surge Power Dissipation T _c = 100 °C, 10ms	P _{SM}	W	0.5	0.5	0.5	0.5	0.5	0.5	0.5

Electrical Characteristics (Ta 125 °C)

PARAMETER	SYMBOL	UNIT	TEST CONDITIONS	FR101G	FR102G	FR103G	FR104G	FR105G	FR106G	FR107G
Maximum instantaneous forward voltage drop per diode	V _F	V	I _{FM} 11.0A	1.3						
Maximum DC reverse current at rated DC blocking voltage per diode	I _R	A	T _c 125 °C	-						
			T _c 75 °C	-						
Reverse Recovery Time	t _{rr}	ns	I _F 1.0 A, I _R 0.1 A, V _R 100 V	75						
Reverse Recovery Charge	Q _{rr}	nC	I _F 1.0 A, V _R 100 V	5						

% # (.

)5 * 7+58)5 *

v7KHUPDO &KDUDÄFVHUL800LHV V RWKHUÄLVH VSHFLILHG

3\$5\$0(7(5	6<0%2,	81,7)5 *)5 *)5 *)5 *)5 *)5 *
7\SLFDO 7KHUPDO	5HVLVWDQF:H							

v2UGHULQJ ,QIRUPDORQ

35() (5(' 3 1	3\$&.\$*(&2' (81,7 : (,*+7	0,1,080 3\$&.\$*(SF	,11(5 %2; 48\$17,7< SF	287(5 &\$572 48\$17,7< S	'(/,9(5< 02' (
)5 *a)5 *		\$SSUR[LPDWH				

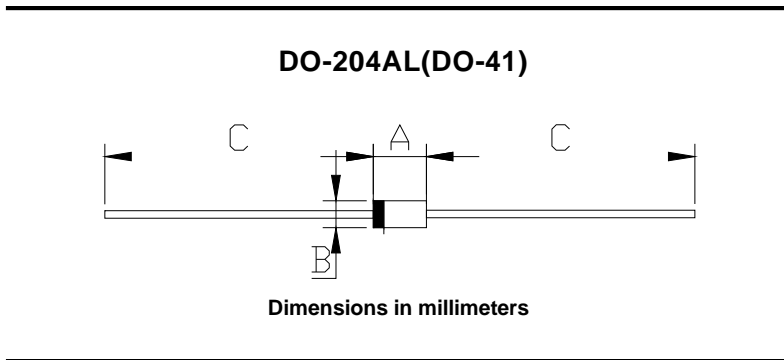
7DSH

)5 *a)5 *



FR101G THRU FR107G

Outline Dimensions



DO-204AL(DO-41)		
Dim	Min	Max
A	4.22	5.21
B	2.03	2.72
C	25.4	/
D	0.6 -	0.86



FR101G THRU FR107G

Disclaimer

(# (.

G! 5 \$ + & MU b [n \ c i ' MU b [W]HY W \ b W h f c m]7 c " ž k @ h k X " & % m U b [^]
F Y j " ' & " ' ž " \$! > U b ! ' & % ' .